

km

Automatic Spreading Machine

SV series

SV5



 **HASHIMA CO., LTD.**

KM brand with a history of 100 years

KM brand, established in Kamakura Japan in 1912, has been producing machines in Japan to maintain thoroughly controlled high quality. And in 2008, Hashima, a specialist of development and manufacture of apparel equipment, took over KM brand. By integrating Hashima's high technology with KM brand for cutting machines, auto spreading machines, and auto cutters, it will continue to challenge and develop its tradition.

KM brand auto spreading machine SV series New line of SV5

SV5 machine comes with a color LCD panel and a multifunctional control panel that improve the visibility and the operability. And the newly-developed cutting device and the multi-axis control enable a greater variety of materials to be spread more accurately.

Feature of KMS-SV5 AUTOMATIC SPREADING MACHINE

- 1 Improved operability due to combine each function that is required for the operation.
- 2 Improved visibility and easy operation by adopt color LCD panel.
- 3 New developed cutter device feed the fabric smoothly and improved fabric foot fix the fabric exactly and cut it.
- 4 Multilingual support : Japanese, English, Chinese, Vietnamese are available.
- 5 Maximum 100 spreading patters are registerable.
- 6 Various sensors and input/output signal monitor for trouble checking are available.



1 Control Panel with integrated functions



2 Multifunctional LCD Display



3 Cutter Device



4 Multilingual Support



5 Save 100 Spreading Patter



6 Technical information for trouble solving

Merit of introduction

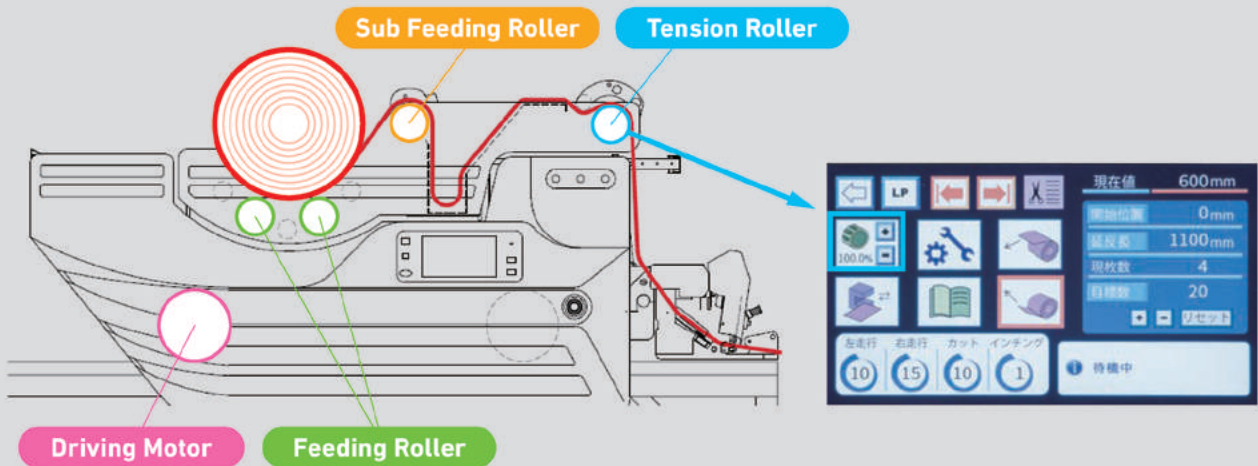
A spreading machine is investment efficiency machine.

- ◆ **Improvement of spreading quality by uniform tension**
- ◆ **Fabric loss reduction**
- ◆ **Staff reduction**
- ◆ **High productivity**
- ◆ **Improvement of sewing efficiency by accurate cutting parts**

Multi-Axis control

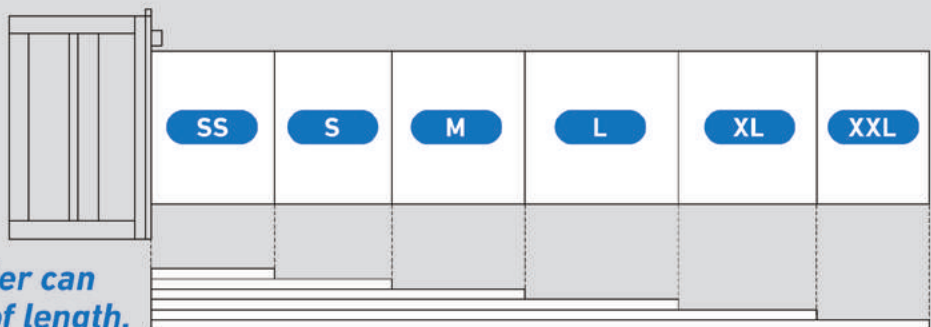
Realization of multi-axis control by new developed servo motor control PC board

The servo motor can recognize Angle, RPM, of Motor axis and it can adjust the load of the motor automatically, so it is necessary adjustment to minimize the tolerance for accurate spreading. And also VC(vibration conveyor) type can control conveyor speed and vibration strength as centralized management. This management will cover to spread various fabric.



Step lay

A	幅長	1500	mm	自轉数	10
B	幅長	2500	mm	自轉数	20
C	幅長	3500	mm	自轉数	30
D	幅長	4500	mm	自轉数	40
E	幅長	5500	mm	自轉数	50
F	幅長	6500	mm	自轉数	60



This spreading patten can save max. 6 kinds of length.

Even quantity of each size is different, the machine can spread each fabric by one operation.

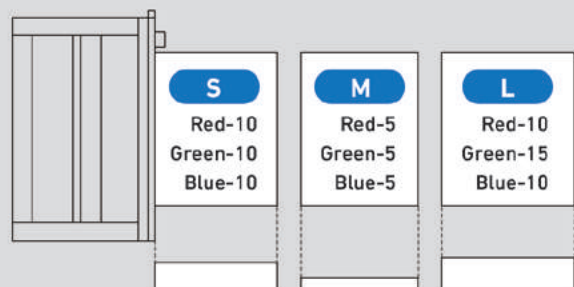
Block lay

A	幅長	1500	mm	自轉数	10
B	幅長	2000	mm	自轉数	20
C	幅長	2500	mm	自轉数	30

This spreading patten save max. 3 kind of length.

Even the spreading order is different color and different quantity, an operator can

spread 3 kind of length fabrics by one operation without changing each fabric.



Standard type for both knit and woven fabric.

SV5FS

Photo: KMS-1600SV5-FS (Left Panel)

Option: Spiral Roller

Max Fabric Roll Weight
60kg

Max Fabric Roll Diameter
400mm



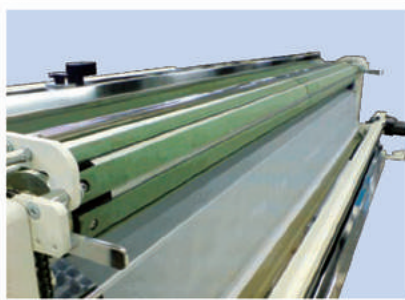
For Woven fabric (thin type)
Knit fabric



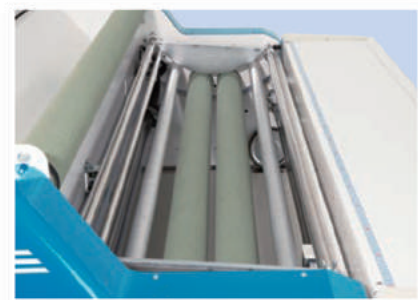
Feature of Automatic spreading machine KMS-SV5FS



1 Front Sensor Type Edge Controller
Adopt Front sensor system. The feed roller and bucket unit synchronize and provide accurate spreading.
(Option: Spiral Roller Device)



2 Expander Roller
Equipped with Expander roller as standard. It is quite useful to remove the fabric wrinkles easier especially for knit.



3 Double Roller Bucket
Double roller bucket is suitable for woven roll fabric.

Option



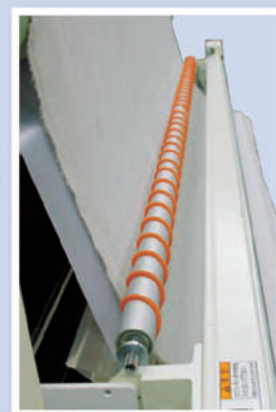
Catcher



Folded Fabric Table



Operator Platform



Spiral Roller Device

This model is suitable for Knit, thin fabric like under ware.

SV5VC

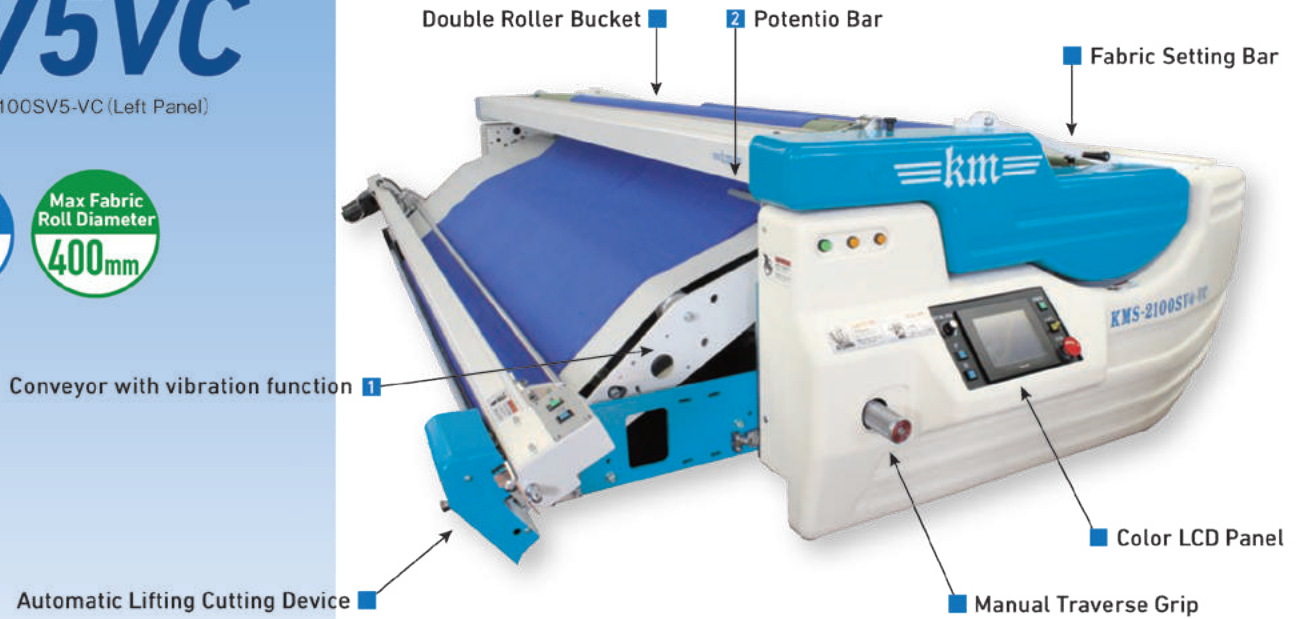
Photo: KMS-2100SV5-VC (Left Panel)

Max Fabric Roll Weight
60kg

Max Fabric Roll Diameter
400mm



Knit
Foundation



Feature of Vibration type Automatic spreading machine KMS-SV5VC



1 Equipped with conveyor with vibration function

The vibration conveyor can reduce the vertical wrinkles. The vibration effect will make relaxation to fabric.



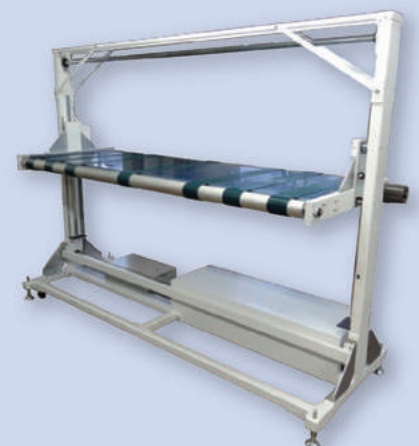
2 Equipped with Potentio Bar

The Potentio Bar can read the fabric tension and will adjust the fabric feeding speed automatically.

Fabric Loading Device

It can be easier for Fabric Loading Operation instead of Man Power Loading.

for Folded Fabric



Catcher

Folded Fabric Table

Operator Platform

Spiral Roller Device

Anti Static Electric Device

*Please consult with our Sales Staff about Width of Loading Device.

This model is suitable for Heavy weight roll fabric (Max 150kg, Max. Diameter 1m) like Jeans.

HEAVY DUTY



ONE WAY ZIG ZAG

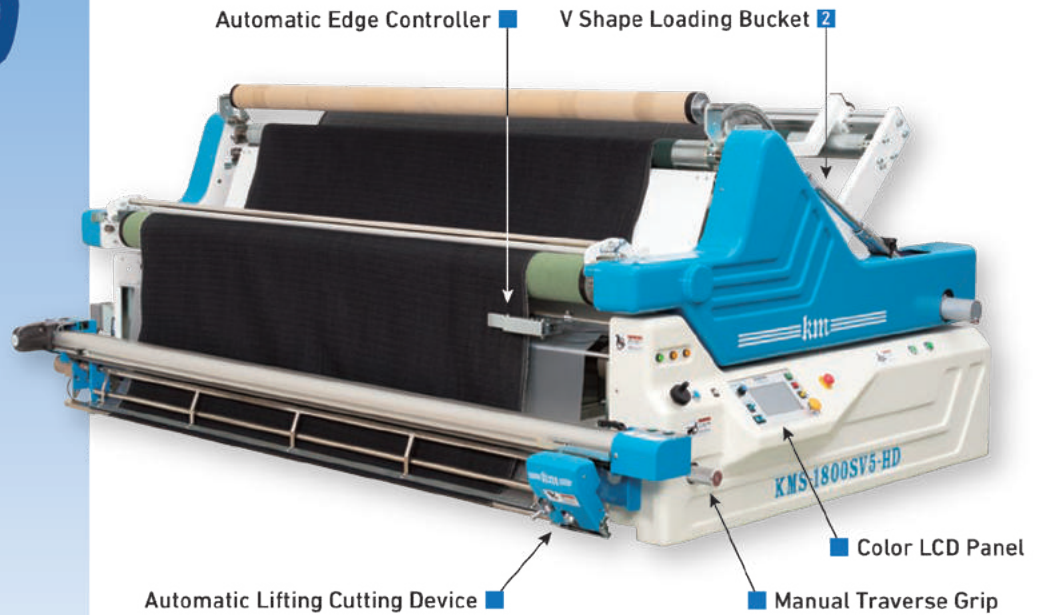
Jeans
Woven (thick) fabric

SV5HD

Photo: KMS-1800-SV5HD (Left Panel)

Max Fabric Roll Weight
150kg

Max Fabric Roll Diameter
1,000mm



Feature of Heavy duty type Automatic spreading machine KMS-SV5HD



1 Automatic fabric setting function

Once roll fabric is set, operator can set the fabric automatically by button operation.
Roll weight :Max 150kg.
Roll diameter :Max 1m.



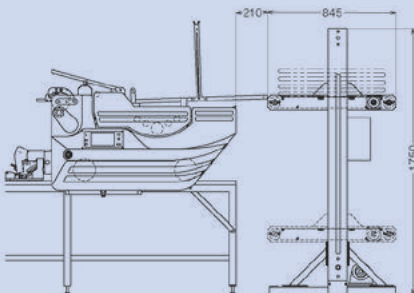
2 V Shape Loading Bucket

This machine is equipped with V shape loading bucket that feed out heavy weight roll fabric smoothly.

Lift up & Belt Feeding Type

KMS-L-2100LB

Max. Folded Fabric Weight:60kg
Max. Folded Fabric Height:300mm

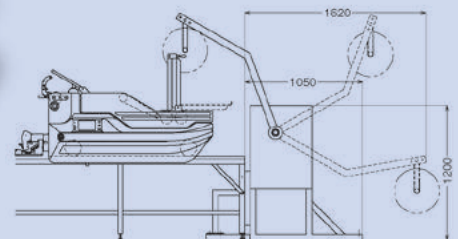


for Heavy Duty Roll Fabric

Swing Type

KMS-L-1600S

Max. Fabric Roll Weight:150kg
Max. Fabric Roll Diameter:1,000mm (1m)



Manual type spreading machine for high-mix low-volume production.

J-SV

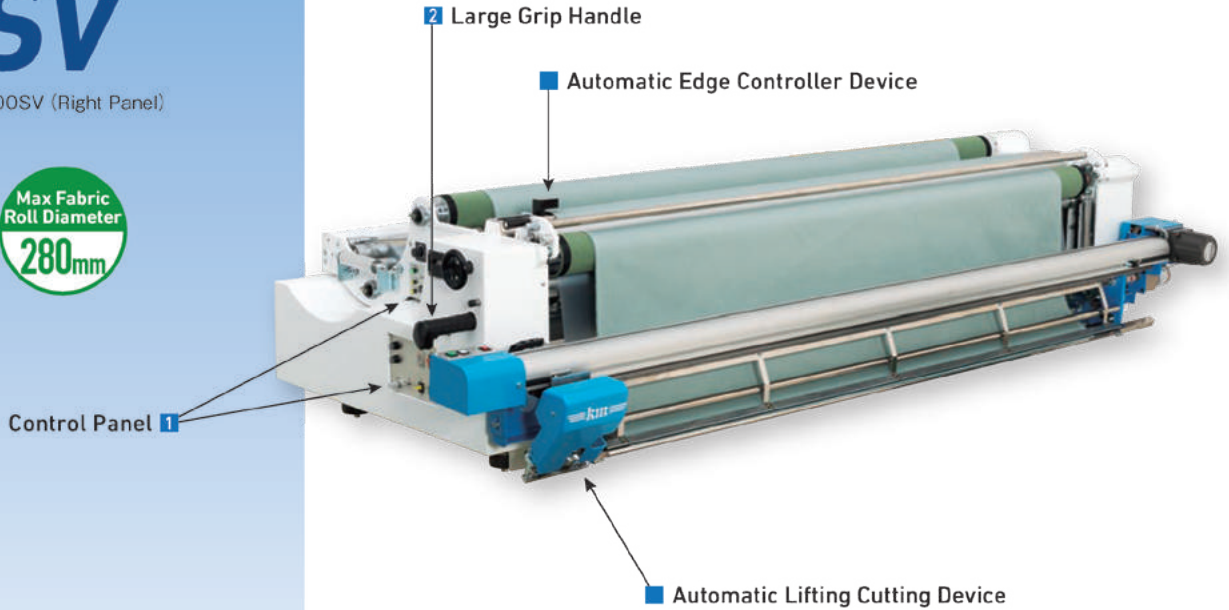
Photo: KMS-J1600SV (Right Panel)

Max Fabric Roll Weight
40kg

Max Fabric Roll Diameter
280mm



Knit (thin fabric)
Woven (thin fabric)



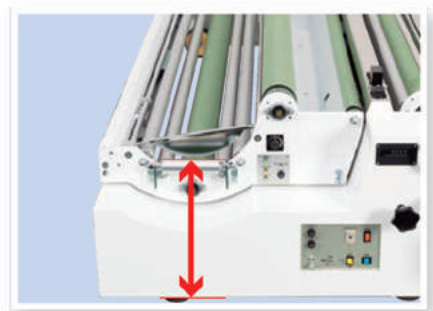
Feature of manual type spreading machine KMS-J1600/1800SV



1 Control Panel
Control panel is combined functionally and easy operation.



2 Large Grip Handle
An operator can move the machine smoothly by large grip handle.



Low Height Design
Easy roll fabric setting due to low and compact design.

KM Spreading Series

KM-SV

Servo type straight knife cutting machine



- * Powerful & High torque.
- * From low speed to high speed, 4 step speed control.

Size : 6", 7", 8", 10"

Power supply : 120V / 220V

KM-SL

Servo type straight knife cutting machine (light weight)



- * Compact & powerful.
- * From low speed to high speed, stepless speed control.
- * Suitable for various fabric.
- * Easy operation with digital display.

Size : 5", 6"

Power supply : 120V / 220V

KM Cutting Machine Series

KS-AUV

Straight Knife Cutting Machine



- * Most popular cutting machine with Automatic Sharpener for all kinds of fabrics.
- * Available as sub-class machines:
KS-AU-V 2SP Dual Speed
KS-AU-H Strong high power motor

Size : 6", 7", 8", 10", 13"

Power supply : 120V/220V/380V

KS-EU

Straight Knife Cutting Machine



- * Compact, small size, and light weight cloth cutting machine with Automatic Sharpener.
- * Suitable for thin materials, and small quantity cutting.

Size : 5", 6"

Power supply : 120V/220V/380V

KBK-900S/M/L

Bandknife



- * Equipped inverter speed controller and it can be adjusted knife speed in accordance with the fabrics.
- * Equipped air blower table and dust vacuum as standard.

Cutting capacity : 180mm

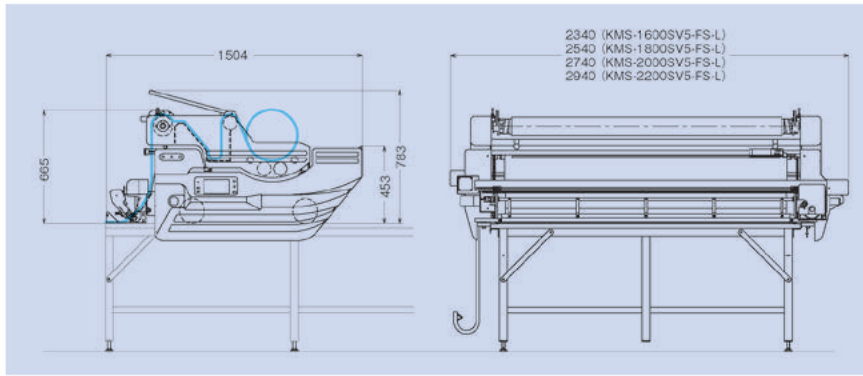
Arm length : 900mm

Power supply : 220V

SV5FS

About Model Name

KMS - 1800 **SV** **5** - **FS**
KM SPREADER 1,800mm SERVO MOTOR FRONT SENSOR



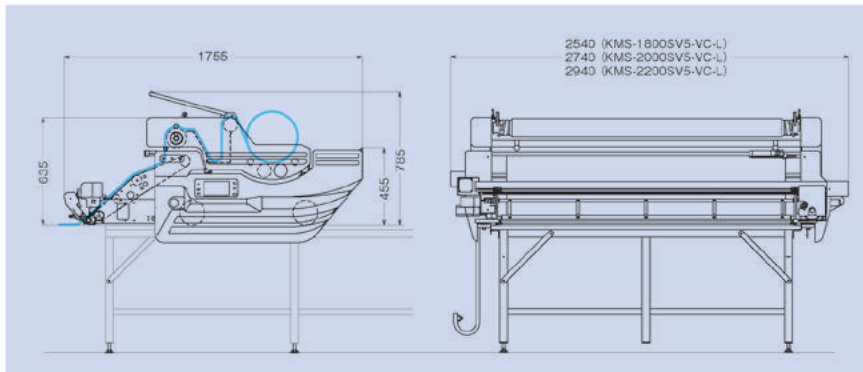
Specification

MODEL	KMS-1600 / 1800 / 2000 / 2200SV5-FS
FABRIC WIDTH	1,600 / 1,800 / 2,000 / 2,200mm
TABLE WIDTH	1,830 / 2,030 / 2,230 / 2,430mm
FABRIC THICKNESS	200mm (ONE WAY)
FABRIC DIAMETER	400mm
FABRIC MAX WEIGHT	60kg
MACHINE SPEED	90m/min
POWER SUPPLY	1P-220V
RATED OUTPUT	1,500W
MACHINE SIZE	2,540 (L) X 1,504 (W) X 665 (H) (KMS-1800SV5-FS)
MACHINE WEIGHT	350Kg (KMS-1800SV5-FS)

SV5VC

About Model Name

KMS - 1800 **SV** **5** - **VC**
KM SPREADER 1,800mm SERVO MOTOR VIBRATION CONVEYOR



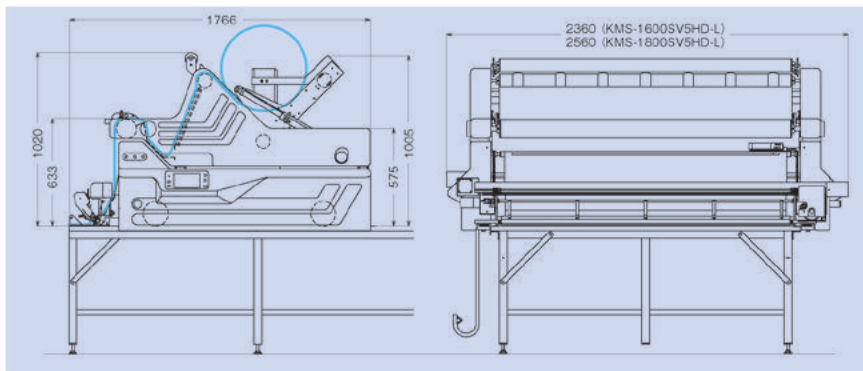
Specification

MODEL	KMS-1800 / 2000 / 2200SV5-VC
FABRIC WIDTH	1,800 / 2,000 / 2,200mm
TABLE WIDTH	2,030 / 2,230 / 2,430mm
FABRIC THICKNESS	160mm (ONE WAY)
FABRIC DIAMETER	400mm
FABRIC MAX WEIGHT	60kg
MACHINE SPEED	70m/min
POWER SUPPLY	1P-220V
RATED OUTPUT	1,500W
MACHINE SIZE	2,940 (L) X 1,755 (W) X 635 (H) (KMS-2200SV5-VC)
MACHINE WEIGHT	400Kg (KMS-2200SV5-VC)

SV5HD

About Model Name

KMS - 1800 **SV** **5** - **HD**
KM SPREADER 1,800mm SERVO MOTOR HEAVY DUTY



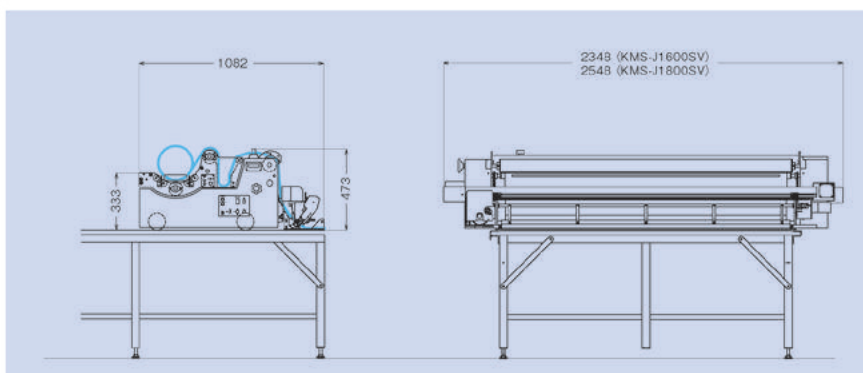
Specification

MODEL	KMS-1600 / 1800SV5-HD
FABRIC WIDTH	1,600 / 1,800mm
TABLE WIDTH	1,830 / 2,030mm
FABRIC THICKNESS	180mm (ONE WAY)
FABRIC DIAMETER	1,000mm
FABRIC MAX WEIGHT	150kg
MACHINE SPEED	70m/min
POWER SUPPLY	1P-220V
RATED OUTPUT	1,500W
MACHINE SIZE	2,360 (L) X 1,766 (W) X 1,020 (H) (KMS-1600SV5-HD)
MACHINE WEIGHT	500Kg (KMS-1600SV5-HD)

J1600 / 1800SV

About Model Name

KMS - J1600 - SV
KM SPREADER 1,600mm



Specification

MODEL	KMS-J1600 / 1800SV
FABRIC WIDTH	1,600 / 1,800mm
TABLE WIDTH	1,830 / 2,030mm
FABRIC THICKNESS	130mm
FABRIC DIAMETER	280mm
FABRIC MAX WEIGHT	40kg
POWER SUPPLY	1P-220V
RATED OUTPUT	200W
MACHINE SIZE	2,348 (L) X 1,082 (W) X 473 (H) (KMS-J1600SV)
MACHINE WEIGHT	300Kg (KMS-J1600SV)

HASHIMA CO., LTD.

HEAD OFFICE : 7-6, RYOGI GIFU-CITY, JAPAN

TEL 81-58-247-8400, 81-58-245-4501 FAX 81-58-240-5775

KUNSHAN(CHINA) OFFICE : TEL : 86-512-57771838 FAX : 86-512-57771848

SINGAPORE OFFICE : TEL 65-62858131 FAX 65-62858132

INDIA OFFICE : TEL : 91-80-41540315 FAX : 91-80-25592002

BANGLADESH OFFICE : TEL : 880-2-7913655 FAX : 880-2-7913099

VIETNAM OFFICE : TEL : 84-351-3555840 FAX : 84-351-3555841

URL : <http://www.hashima.co.jp>

AGENT